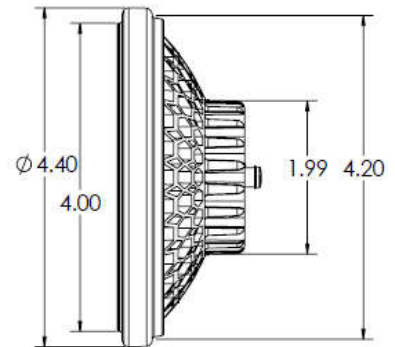
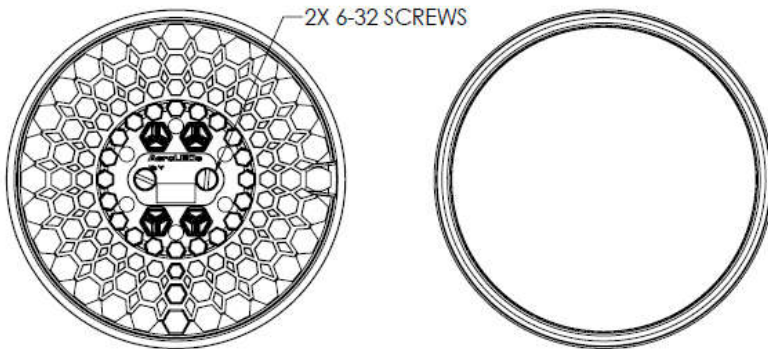
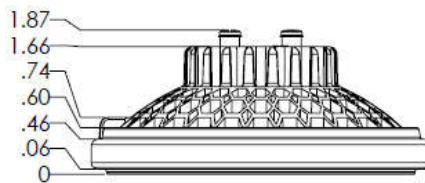




Product Datasheet
SunSpot 36LX Landing Light
01-1030-L-A



Voltage:	9-40VDC	Length:	4.4"
Current:	3.2A at 14VDC	Width:	4.4"
Power:	45 Watts	Depth:	1.9"
Pulse/WigWag:	N/A	Weight:	10.1 Oz
Synchronization:	N/A	Heat Sink Material:	Aluminum/Black Powder Coat
Thermal Protection:	Built In	Lens Material:	Polycarbonate
Lumens:	4,950 lm	Lens Protection:	Optional Film
Candela:	65,000 cd	Mounting:	PAR 36 Ring Clamp
Beam Profile (@ 10% peak):	Vertical: 20°	MTBF	>30,000 Hours
	Horizontal: 20°	Temperature Range:	-55C to +70C