

Manufactured by:
AeroLEDs LLC
8475 W Elisa Street
Boise, ID 83709
Phone: (208) 850-3294
www.aeroleds.com
sales@aeroleds.com

**Installation Guide:
Pulsar EXP Lights
P/N 01-1040
LED Navigation and
Anti-Collision Light**



Light output exceeds 70 candela for position lights and 150 effective candela for strobe light, not intended for use on certified aircraft

Operating Instructions:

Operational Voltage: 14 & 28 Volt Systems
Position Input Current: 0.4A at 14V, 0.2A at 28V
Strobe Average Current: 0.8A at 14V, 0.4A at 28V
Strobe Peak Current: 2.25A at 14V for 0.33 seconds

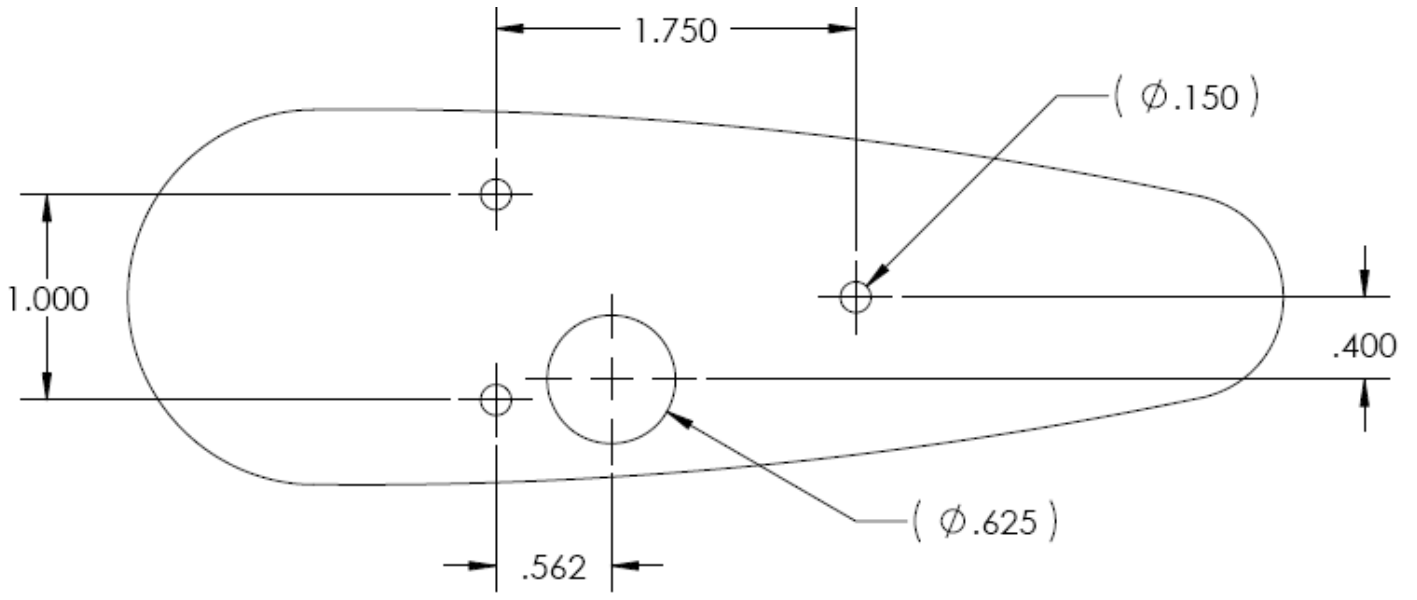
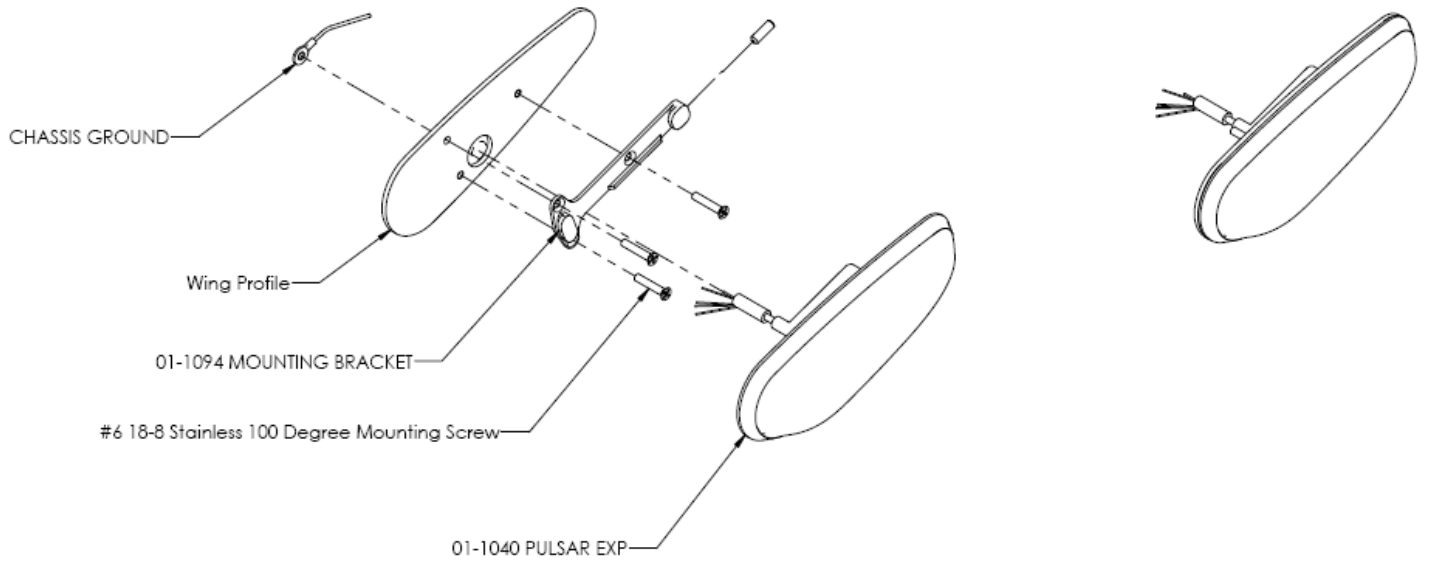
CONTINUED AIRWORTHINESS:

The Pulsar EXP LED navigation and anticollision light assembly is designed with 2 forward navigation LEDs, 2 rear position LEDs, and 12 LEDs mounted beneath the anti-collision lens. Should any one LED fail, the unit should be repaired or replaced. View LEDs with welding goggles for eye safety.

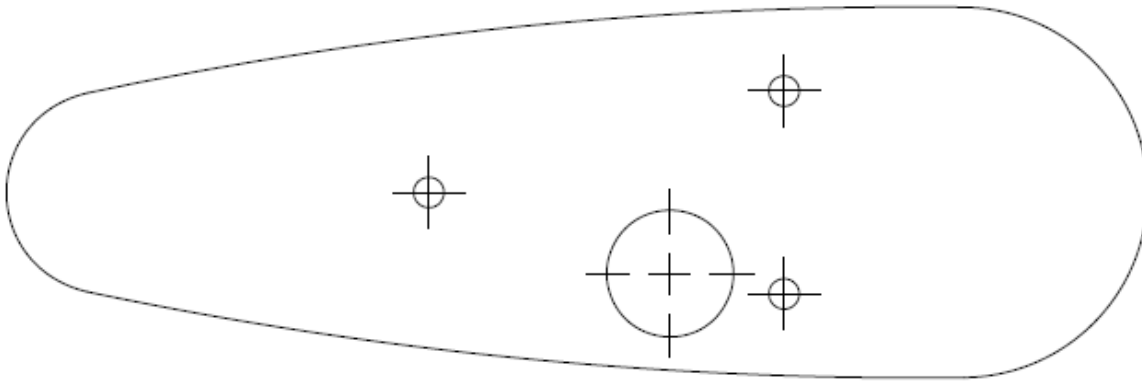
INSTALLATION PROCEDURES:

1. The installation procedure described in the following text is for a single light installation, but the procedure is identical for multiple light installations.
2. Use the mounting bracket to position the light on the wing in the desired location. Locate the mounting bracket such that the light

- will be positioned in the desired location when the set screw is fully seated.
3. By design, the 'T' Mounting Bracket locks into the EXP product body.
4. Using the mounting bracket as a template to the wingtip (mounting) position and mark the screw and wire hole locations.
5. Mount the bracket using three 6-32 100 degree countersunk screws. **Ensure that the mounting bracket is grounded to structure via the mounting screws.** If necessary, route a ground strap from one mounting screw to structure ground or terminate the ground shield from the shielded wire bundle to a mounting screw. Proper chassis ground is required for minimum RFI and for protection from direct lighting effects.
6. Connect the red wire to switched power for the position lights, connect the yellow wire to switched power for the strobe lights, connect the black wire to the structure ground used to ground the mount, and connect the green wire to the synchronization wire from the other installed light(s). It is recommended that the attached wiring diagram be followed for minimum RFI.
7. Attach the light to the mounting bracket and anchor in place with the 8-32 hex head set screw (provided) that inserts into the rear of the light.
8. Check all avionics systems for interference from this installation.
9. A flight check should be performed by a properly certified pilot.



Left Wing Tip



Right Wing Tip

