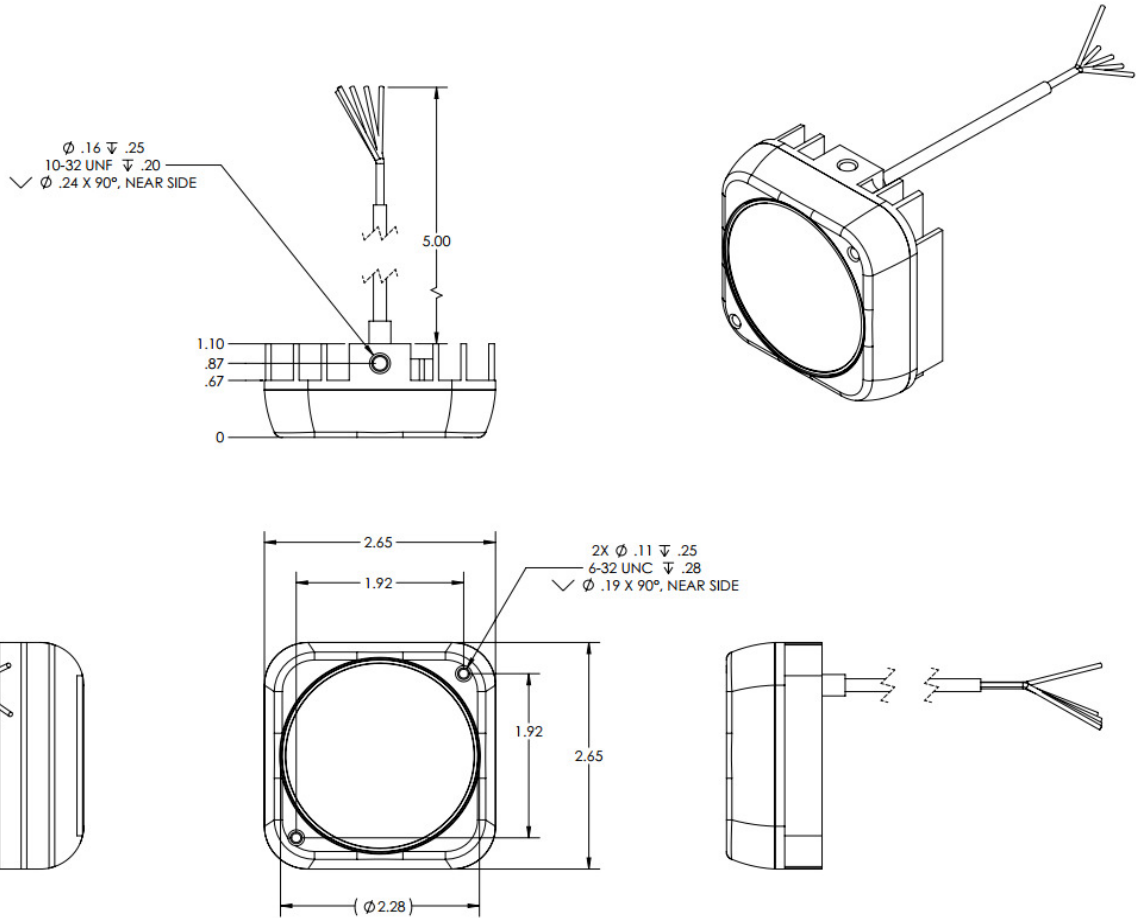




Product Datasheet

SunRay Plus Landing/Taxi Light with Recognition

01-1150



Voltage:	9-40VDC	Length:	2.65"
Current:	0.7 Amps at 14V	Width:	2.65"
Power Consumption:	10 Watts	Depth:	1.10"
Pulse/WigWag:	Built In	Weight:	4.5 Oz
Synchronization:	Built In	Heat Sink Material:	Aluminum/ Black Anodized
Thermal Protection:	Built In	Lens Material:	Polycarbonate
Lumens:	1,100	Lens Protection:	Optional Film
Candela:	25,000	Mounting:	10-32 Lug or (2) x 6-32
Beam Profile (@10% peak):	Vertical: 6°	MTBF:	>30,000 Hours
	Horizontal: 6°	Temperature Range:	-55C to +70C