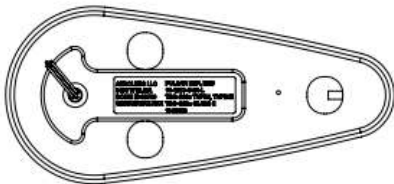
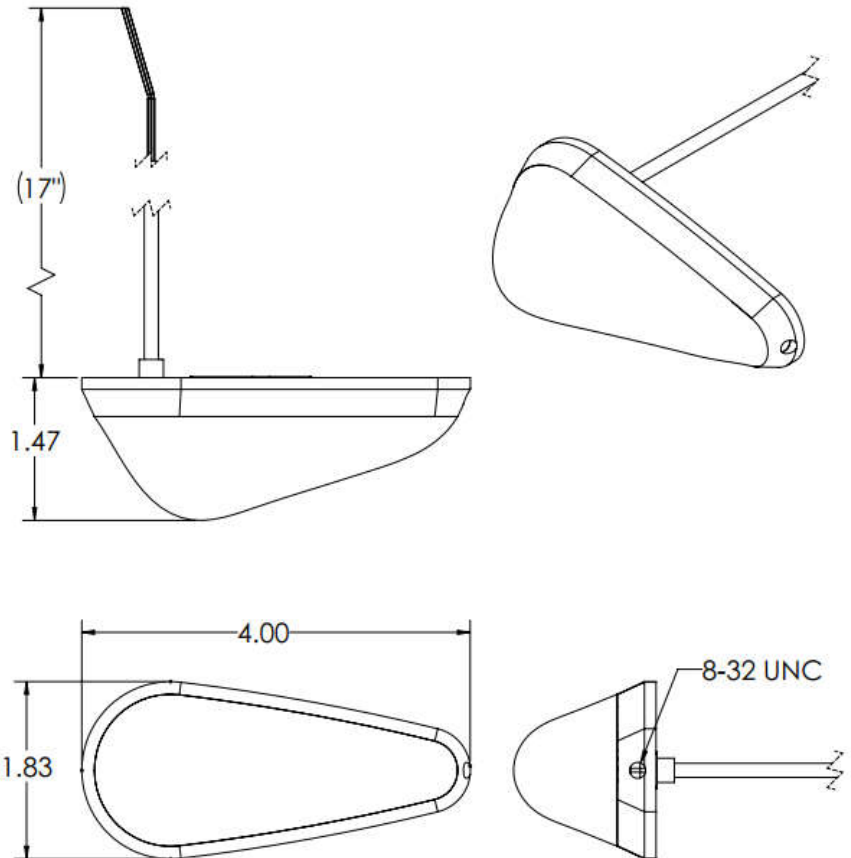
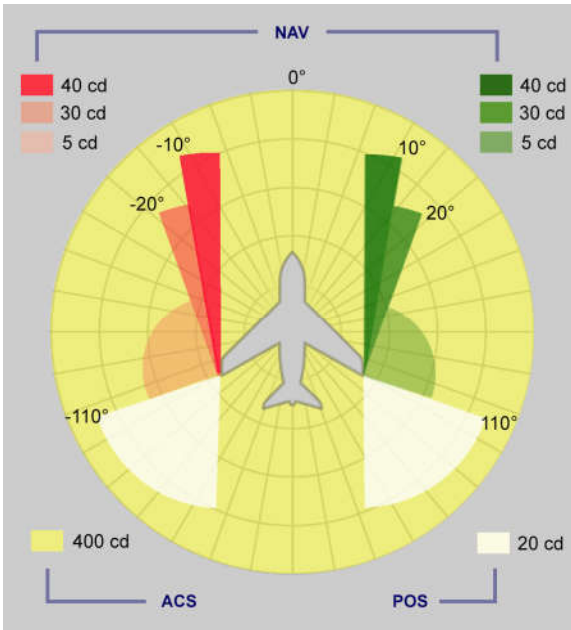




Product Datasheet

Pulsar NSP Nav/Strobe/Position Light 01-1280-C-(12)-(L/R)



| | | | |
|--------------------------------|---|----------------------------|-------------------|
| Voltage: | 9-18VDC | Length: | 4" |
| Current: | Nav/Position: 1.6A at 14V*† | Width: | 1.9" |
| | Avg Strobe: 1.3A at 14V*† (190ms on-time) | Height: | 1.5" |
| Power: | 41 Watts* (Average) | Weight: | 7.1 Oz* |
| Strobe Power Supply: | Built In | Heat Sink Material: | Anodized Aluminum |
| Strobe Synchronization: | Built In | Lens Material: | Polycarbonate |
| Thermal Protection: | Built In | Mounting: | Bracket |
| Nav Light: | Exceeds TSO C-30c Type I, II, III | MTBF: | >30,000 Hours |
| Strobe: | Exceeds TSO C-96a Class II | Temperature Range: | -55C to +70C |

* Per Pair

† For Wiring and Fuse sizing reference installation guide (0008-0022)