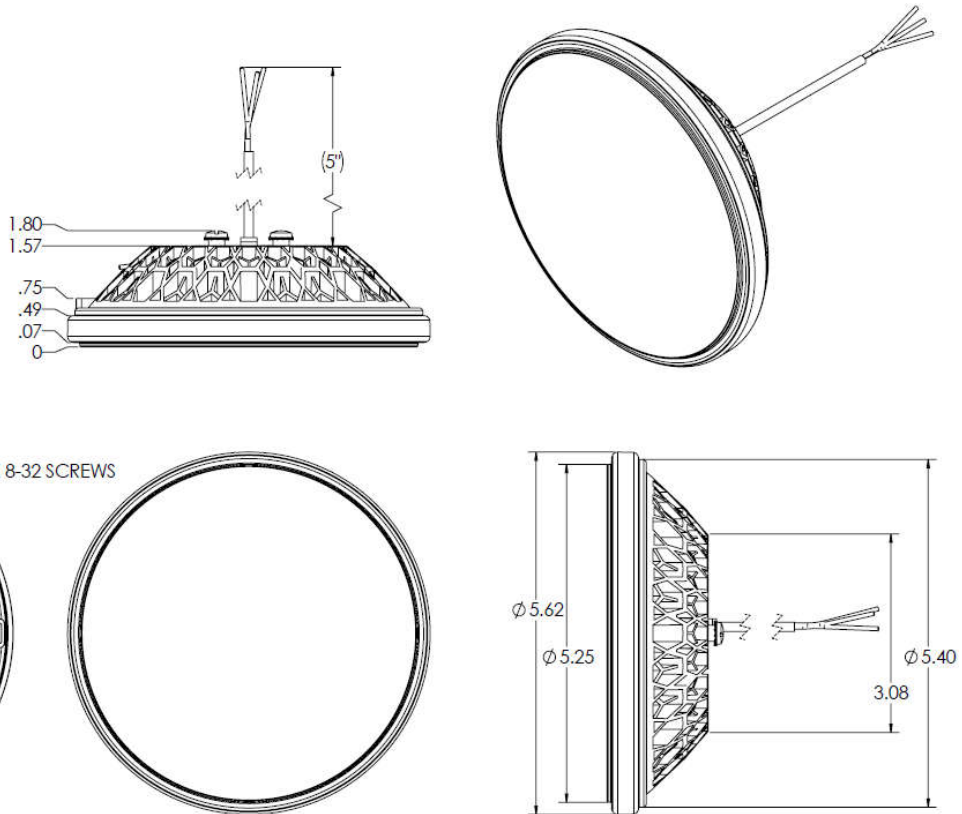




Product Datasheet

SunSpot 46HX Landing Light with Recognition 01-2130-HX



Voltage:	9-40VDC	Length:	5.6"
Current:	5A at 14VDC	Width:	5.6"
Power:	70 Watts	Depth:	1.8"
Pulse/WigWag:	Built In	Weight:	20 Oz
Synchronization:	Built In	Heat Sink Material:	Aluminum/Black Powder Coat
Thermal Protection:	Built In	Lens Material:	Polycarbonate
Lumens:	7,700 lm	Lens Protection:	Optional Film
Candela:	150,000 cd	Mounting:	PAR 46 Ring Clamp
Beam Profile (@ 10% peak):	Vertical: 20°	MTBF	>30,000 Hours
	Horizontal: 20°	Temperature Range:	-55C to +70C