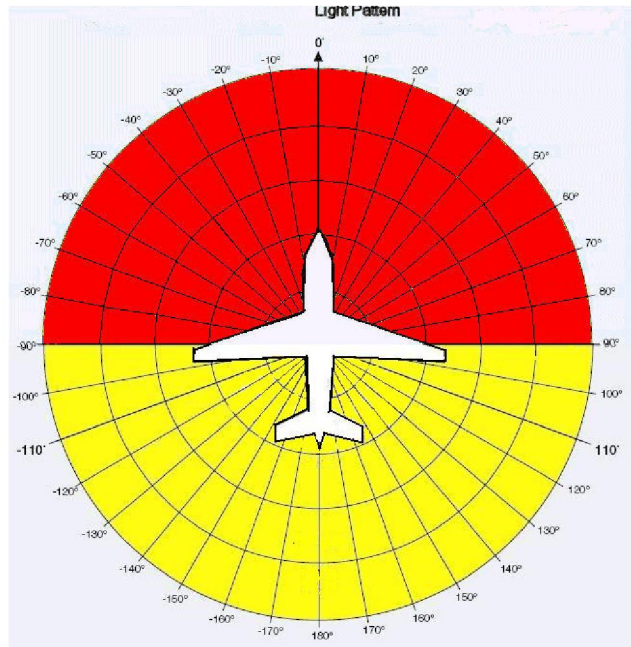
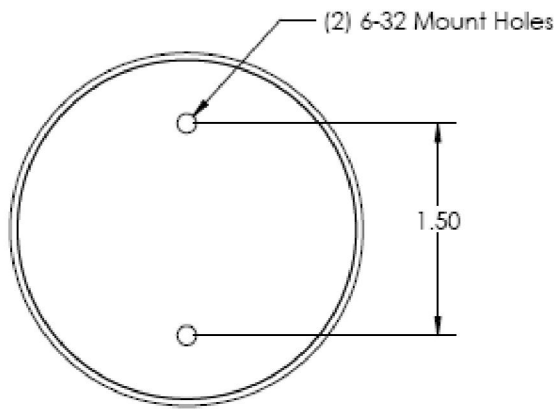
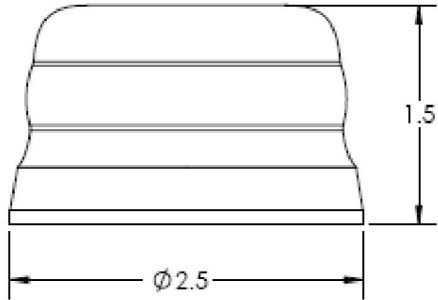




Product Datasheet
SunBeacon II 360 Red/White LED Beacon
01-2200-C



Voltage Range: 9-36VDC
 Strobe Average Current: 0.8A at 14V, 0.4A at 28V
 Strobe Peak Current: 6.0A at 14V, 3A at 28V
 Power Consumption: 12 Watts Average
 Power Supply: Built In
 Synchronization: Built In
 Thermal Protection: Built In
 Strobe: Exceeds 100 ECP
 Red/White
 (Class III)
 LED Count: 24

Height: 1.5"
 Width: 2.5"
 Length: 2.5"
 Weight: 8 Oz
 Heat Sink Material: Clear Anodized Aluminum
 Lens Material: Polycarbonate
 Rated Life: 50,000 Hours
 Temperature Range: -55C to +70C