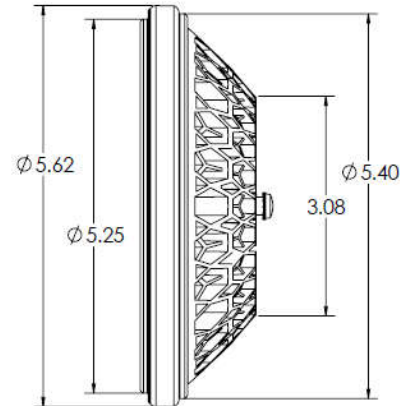
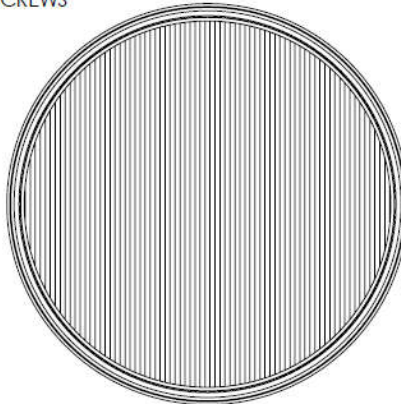
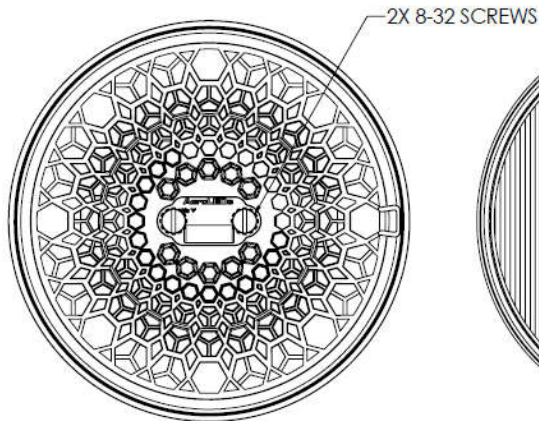
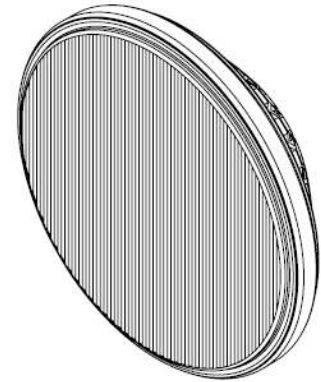
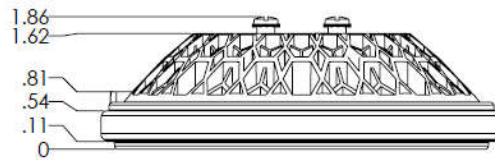




Product Datasheet

SunSpot 46-4554 Taxi Light

01-2230-4554



Voltage:	28V AC/DC	Length:	5.6"
Current:	6.3A at 28VDC	Width:	5.6"
Power:	175 Watts	Depth:	1.9"
Pulse/WigWag:	N/A	Weight:	20 Oz
Synchronization:	N/A	Heat Sink Material:	Aluminum/Black Powder Coat
Thermal Protection:	Built In	Lens Material:	Polycarbonate
Lumens:	19,250 lm	Lens Protection:	N/A
Candela:	100,000 cd	Mounting:	PAR 46 Ring Clamp
Beam Profile (@ 10% peak):	Vertical: 20°	MTBF	>30,000 Hours
	Horizontal: 60°	Temperature Range:	-55C to +70C