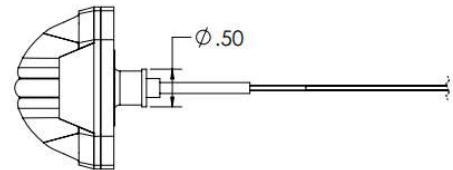
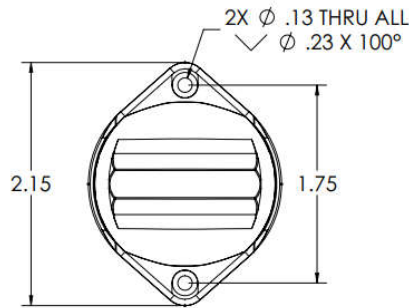
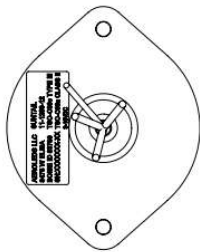
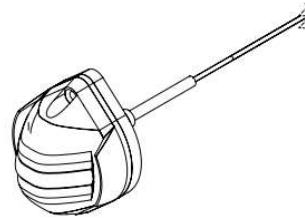
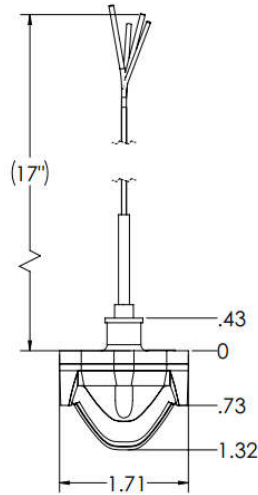
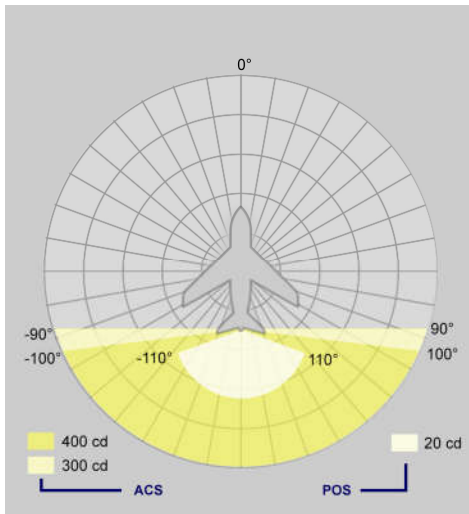




Product Datasheet

SunTail Position/Strobe Light

11-1260-12



Voltage:	9-18VDC	Length:	2.2"
Current:	Position: 0.4A at 14V*	Width:	1.7"
	Avg Strobe: 0.52A at 14V* (190ms on-time)	Height:	1.3"
Power:	13 Watts (Average)	Weight:	2.5 Oz
Strobe Power Supply:	Built In	Heat Sink Material:	Anodized Aluminum
Strobe Synchronization:	Built In	Lens Material:	Polycarbonate
Thermal Protection:	Built In	MTBF:	>30,000 Hours
Nav Light:	TSOA (C-30c Type III)	Temperature Range:	-55C to +70C
Strobe:	TSOA (C-96a Class II, III)		

* For Wiring and Fuse sizing reference installation guide (0009-0018)