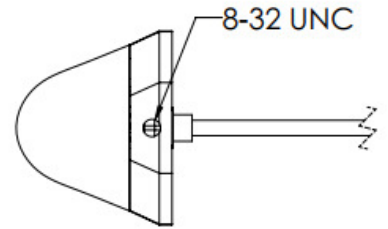
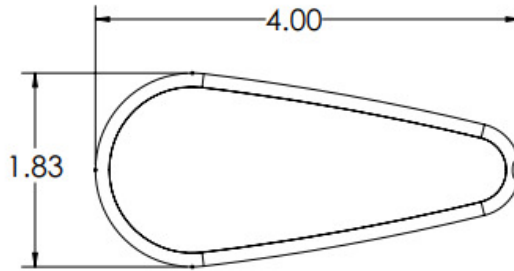
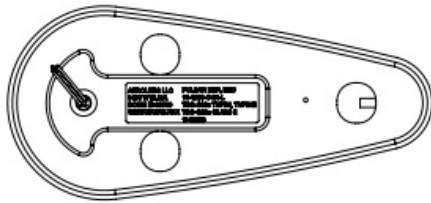
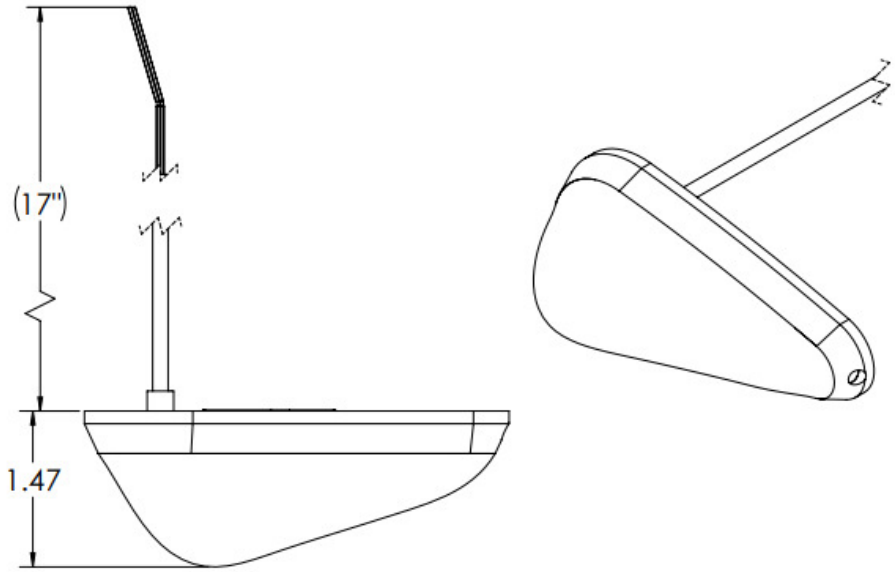
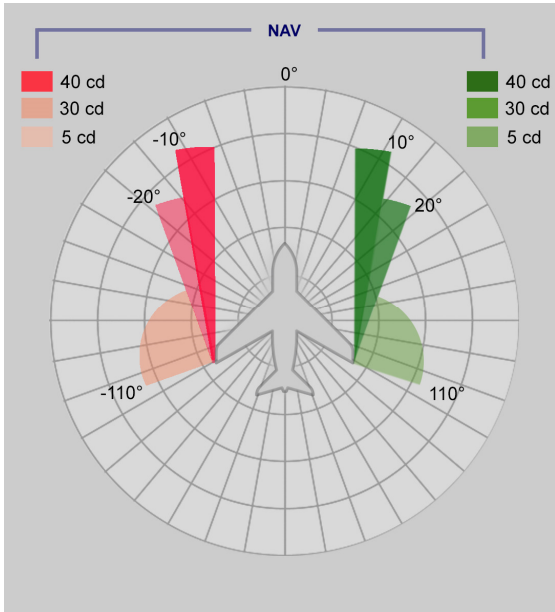


Product Datasheet
Pulsar N Nav Light
11-1280-A-(12)-(L/R)



Voltage: 9-18VDC
Current: Nav: 1.4A at 14V*
 Strobe: N/A
Power: 20 Watts*
Strobe Power Supply: N/A
Strobe Synchronization: N/A
Thermal Protection: Built In
Nav Light: TSO'd (C-30c Type I & II)
Strobe: N/A

Length: 4"
Width: 1.9"
Height: 1.5"
Weight: 7.1 Oz*
Heat Sink Material: Anodized Aluminum
Lens Material: Polycarbonate
Mounting: Bracket
MTBF: >30,000 Hours
Temperature Range: -55C to +70C

* Per Pair