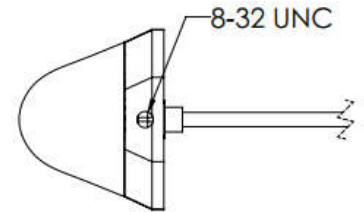
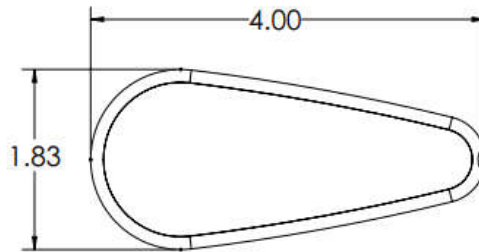
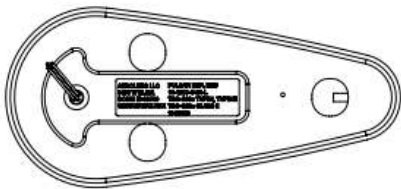
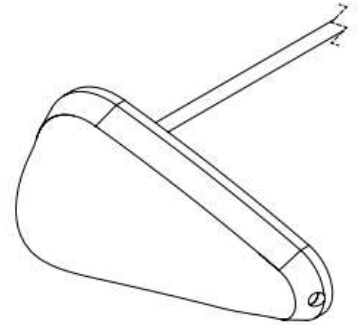
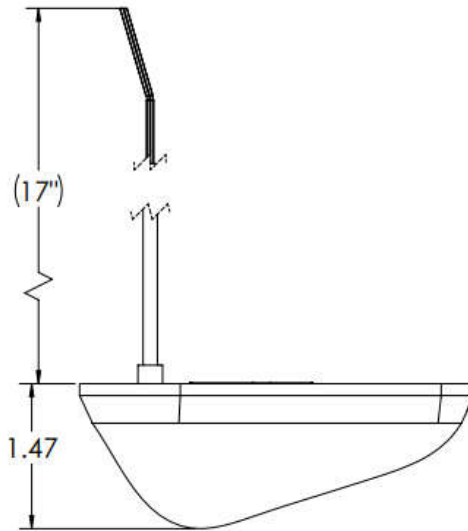
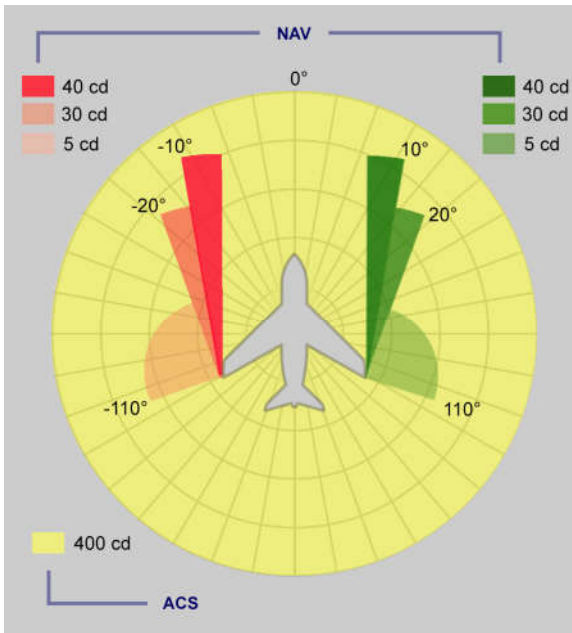




Product Datasheet

Pulsar NS Nav/Strobe Light 11-1280-B-(12)-(L/R)



Voltage:	9-18VDC	Length:	4"
Current:	Nav: 1.6A at 14V*†	Width:	1.9"
	Avg Strobe: 1.3A at 14V*† (190ms on-time)	Height:	1.5"
Power:	41 Watts* (Average)	Weight:	7.1 Oz*
Strobe Power Supply:	Built In	Heat Sink Material:	Anodized Aluminum
Strobe Synchronization:	Built In	Lens Material:	Polycarbonate
Thermal Protection:	Built In	Mounting:	Bracket
Nav Light:	TSOA (C-30c Type I, II, III)	MTBF:	>30,000 Hours
Strobe:	TSOA (C-96a Class II)	Temperature Range:	-55C to +70C

* Per Pair

† For Wiring and Fuse sizing reference installation guide (0008-0006)