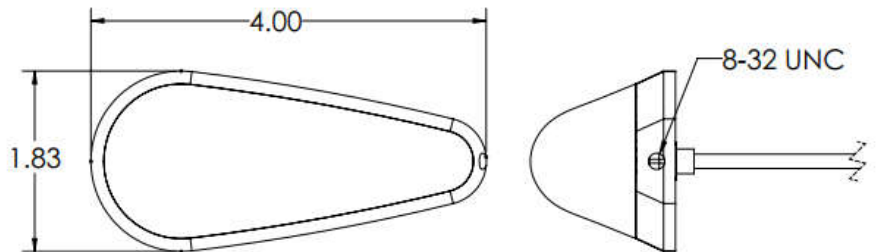
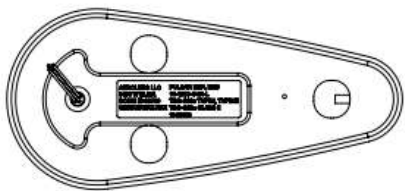
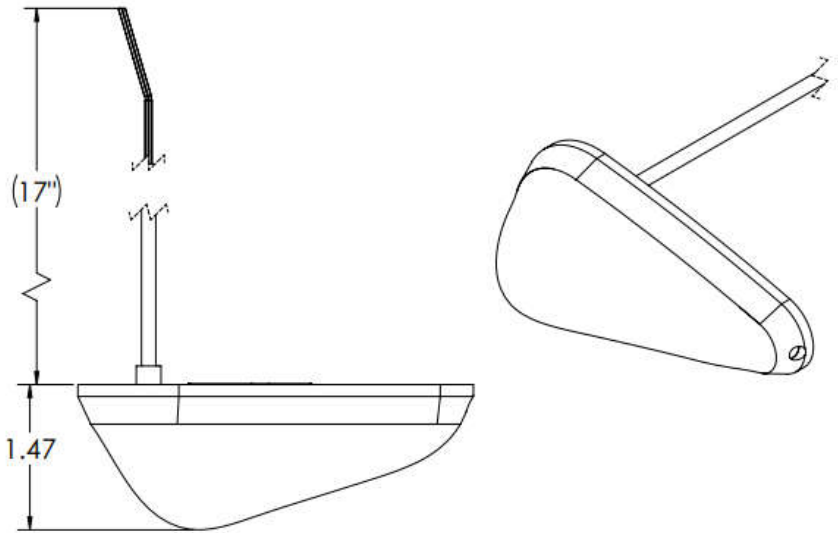
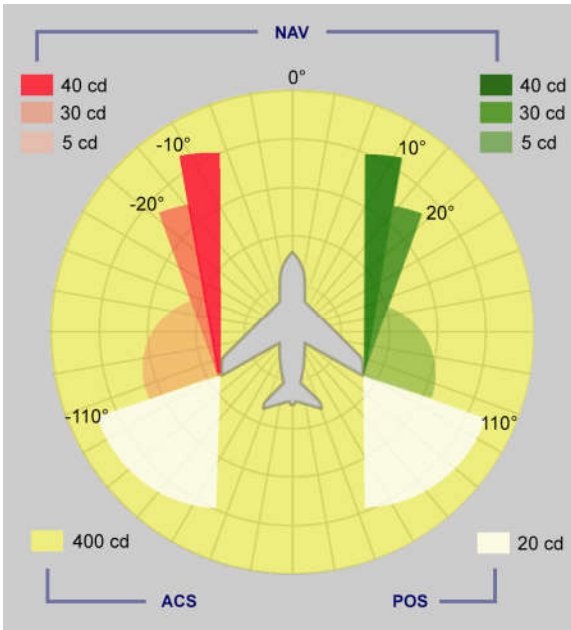




## Product Datasheet

# Pulsar NSP Nav/Strobe/Position Light 11-1280-C-(12)-(L/R)



<b>Voltage:</b>	9-18VDC	<b>Length:</b>	4"
<b>Current:</b>	Nav/Position: 1.6A at 14V*†	<b>Width:</b>	1.9"
	Avg Strobe: 1.3A at 14V*† (190ms on-time)	<b>Height:</b>	1.5"
<b>Power:</b>	41 Watts* (Average)	<b>Weight:</b>	7.1 Oz*
<b>Strobe Power Supply:</b>	Built In	<b>Heat Sink Material:</b>	Anodized Aluminum
<b>Strobe Synchronization:</b>	Built In	<b>Lens Material:</b>	Polycarbonate
<b>Thermal Protection:</b>	Built In	<b>Mounting:</b>	Bracket
<b>Nav Light:</b>	TSOA (C-30c Type I, II, III)	<b>MTBF:</b>	>30,000 Hours
<b>Strobe:</b>	TSOA (C-96a Class II)	<b>Temperature Range:</b>	-55C to +70C

\* Per Pair

† For Wiring and Fuse sizing reference installation guide (0008-0006)

AeroLEDs 2019

Rev D