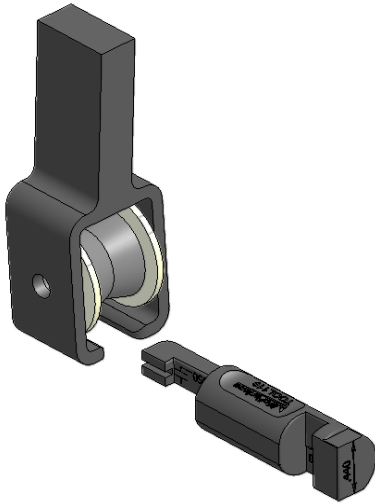




Press Release – New Product



McFarlane Offers Seat Roller Housing Gauge for New Cessna A.D.

Baldwin City, Kansas, October 31, 2011 - McFarlane Aviation Products is pleased to announce the availability of a seat roller housing measuring tool for Cessna aircraft. The new P/N TOOL110 gauge is designed to facilitate inspection of seat roller housings for wear as required by mandatory FAA AD 2011-10-09. This gauge simplifies determining whether the housing is in or out of tolerance by allowing the areas of concern to be gauged as opposed to measuring individual attributes of each housing with calipers. Results are positive and quick with this new gauge.

McFarlane also offers a convenient gauge, P/N GAUGE SR1, that takes the guesswork out of rail hole wear measurements. McFarlane also will have improved FAA-PMA replacement seat roller housings available in 2012.

McFarlane Aviation Products has provided high quality FAA approved seat rails, rollers, and related parts at an affordable price for over 20 years. For more information, visit www.mcfarlaneaviation.com, and search for TOOL110, or call 800-544-8594 or 785-594-2741.

McFarlane and the McFarlane logo are registered trademarks of McFarlane Aviation, Inc.

###