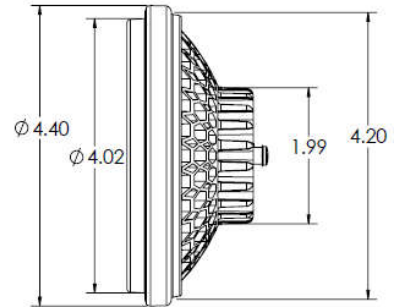
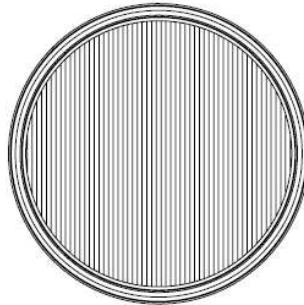
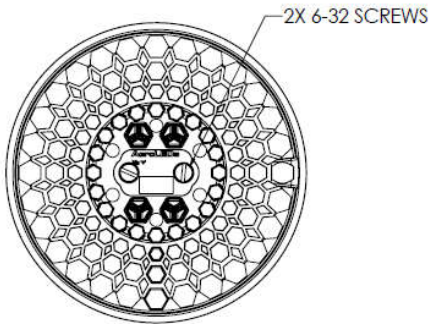
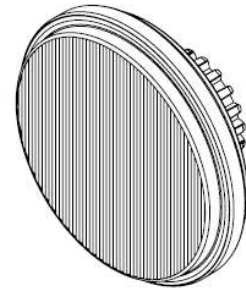
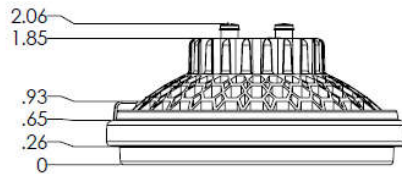




**Product Datasheet**  
**SunSpot 36-4314 Taxi Light**  
**01-1030-4314**



<b>Voltage:</b>	14V AC/DC	<b>Length:</b>	4.4"
<b>Current:</b>	6.7A at 14VDC	<b>Width:</b>	4.4"
<b>Power:</b>	95 Watts	<b>Depth:</b>	2.1"
<b>Pulse/WigWag:</b>	N/A	<b>Weight:</b>	11.5 Oz
<b>Synchronization:</b>	N/A	<b>Heat Sink Material:</b>	Aluminum/Black Powder Coat
<b>Thermal Protection:</b>	Built In	<b>Lens Material:</b>	Polycarbonate
<b>Lumens:</b>	11,000 lm	<b>Lens Protection:</b>	N/A
<b>Candela:</b>	50,000 cd	<b>Mounting:</b>	PAR 36 Ring Clamp
<b>Beam Profile (@ 10% peak):</b>	Vertical: 20°	<b>MTBF</b>	>30,000 Hours
	Horizontal: 60°	<b>Temperature Range:</b>	-55C to +70C