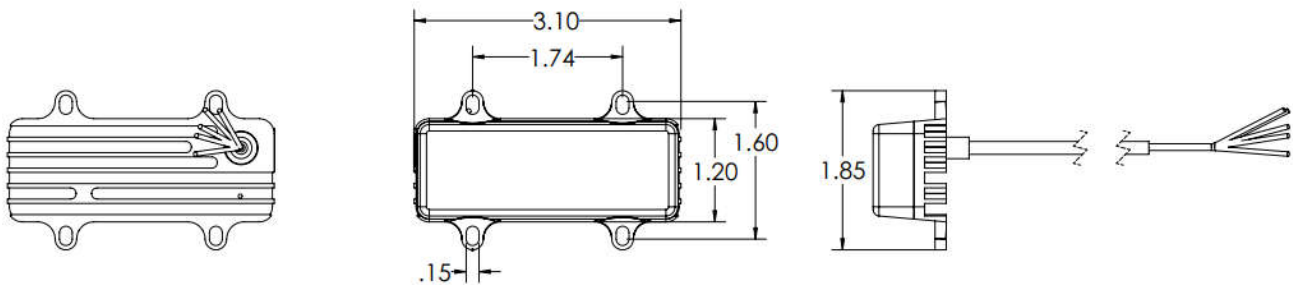
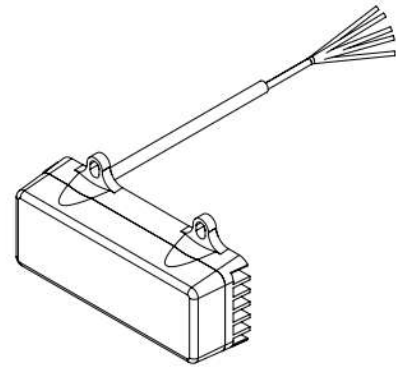
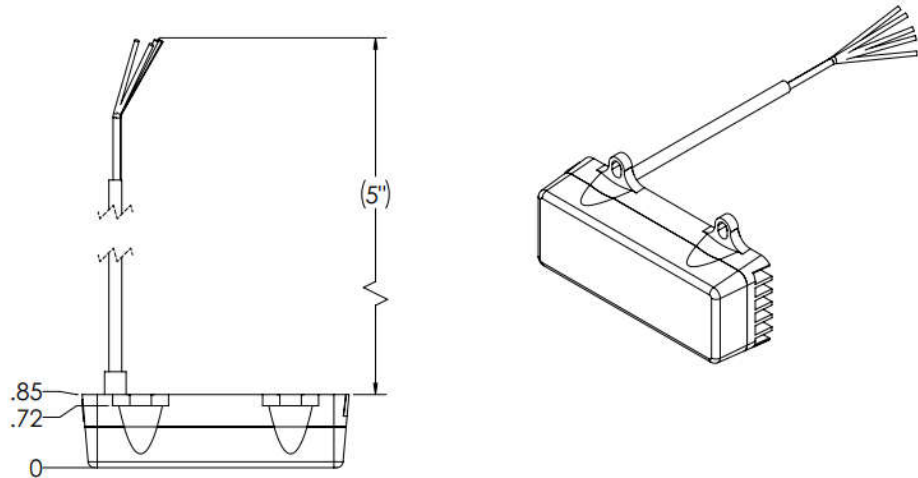




## Product Datasheet

# MicroSun Taxi Light with Recognition 01-1170-A



<b>Voltage:</b>	9-40VDC	<b>Length:</b>	3.1"
<b>Current:</b>	1.7A at 14VDC	<b>Width:</b>	1.9"
<b>Power:</b>	24 Watts	<b>Depth:</b>	0.9"
<b>Pulse/WigWag:</b>	Built In	<b>Weight:</b>	2.2 Oz
<b>Synchronization:</b>	Built In	<b>Heat Sink Material:</b>	Aluminum/Black Anodized
<b>Thermal Protection:</b>	Built In	<b>Lens Material:</b>	Polycarbonate
<b>Lumens:</b>	2,640	<b>Lens Protection:</b>	Optional Film
<b>Candela:</b>	15,000	<b>Mounting:</b>	(4) x 6-32 (External Mount)
<b>Beam Profile (@10% peak):</b>	Vertical: 30°	<b>MTBF:</b>	>30,000 Hours
	Horizontal: 30°	<b>Temperature Range:</b>	-55C to +70C