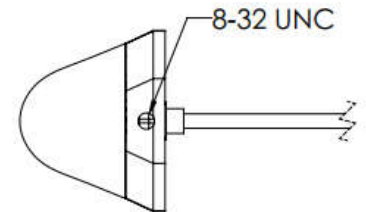
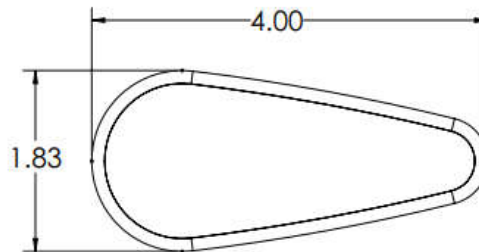
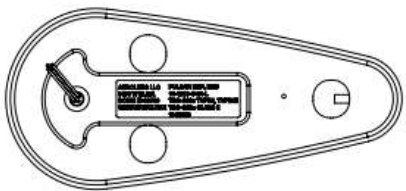
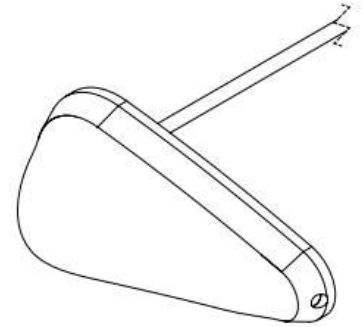
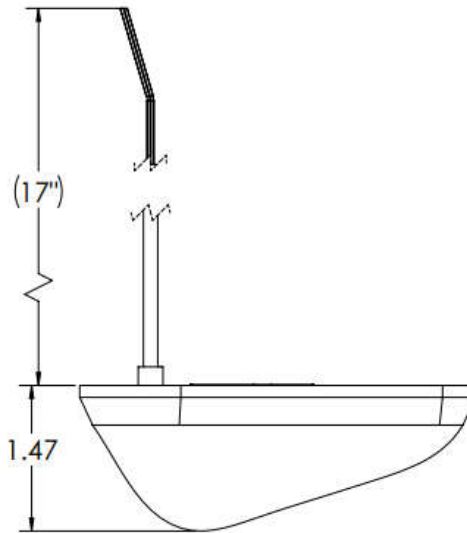
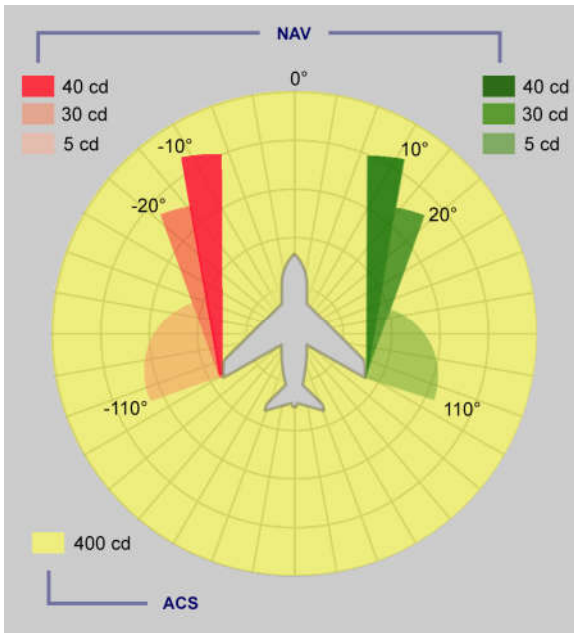




Product Datasheet

Pulsar NS Nav/Strobe Light 01-1280-B-(24)-(L/R)



Voltage:	26-32VDC	Length:	4"
Current:	Nav: 0.8A at 28V*†	Width:	1.9"
	Avg Strobe: 0.8A at 28V*† (190ms on-time)	Height:	1.5"
Power:	44 Watts* (Average)	Weight:	7.1 Oz*
Strobe Power Supply:	Built In	Heat Sink Material:	Anodized Aluminum
Strobe Synchronization:	Built In	Lens Material:	Polycarbonate
Thermal Protection:	Built In	Mounting:	Bracket
Nav Light:	Exceeds TSOA C-30c Type I, II, III	MTBF:	>30,000 Hours
Strobe:	Exceeds TSOA C-96a Class II	Temperature Range:	-55C to +70C

* Per Pair

† For Wiring and Fuse sizing reference installation guide (0008-0022)