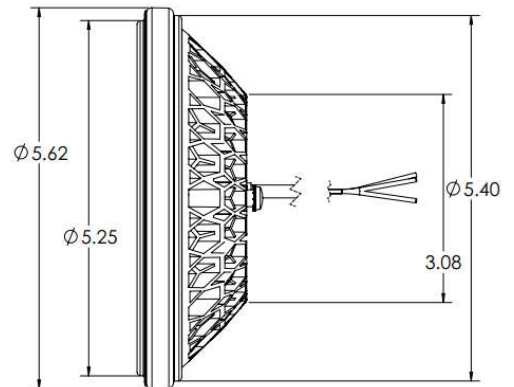
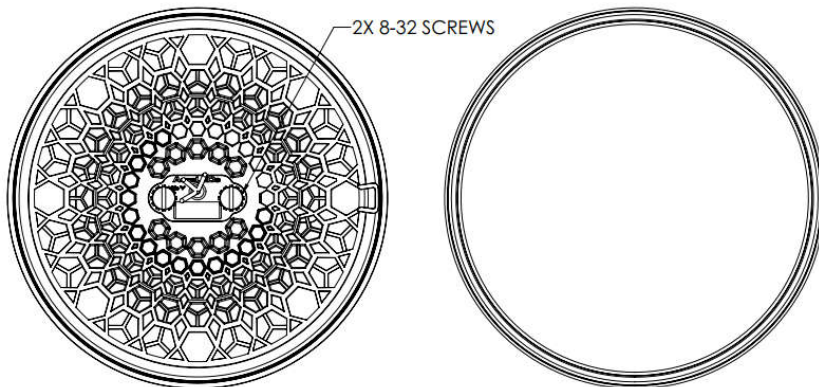
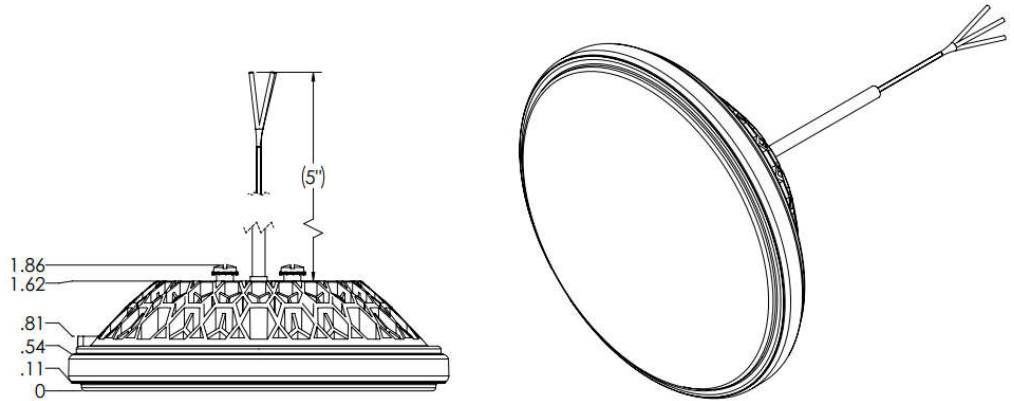




## Product Datasheet

# SunSpot 46-4580 Landing Light with Recognition

01-2230-4580-H



|                                   |                 |                            |                            |
|-----------------------------------|-----------------|----------------------------|----------------------------|
| <b>Voltage:</b>                   | 28V AC/DC       | <b>Length:</b>             | 5.6"                       |
| <b>Current:</b>                   | 6.3A at 28VDC   | <b>Width:</b>              | 5.6"                       |
| <b>Power:</b>                     | 175 Watts       | <b>Depth:</b>              | 1.9"                       |
| <b>Pulse/WigWag:</b>              | Built In        | <b>Weight:</b>             | 20 Oz                      |
| <b>Synchronization:</b>           | Built In        | <b>Heat Sink Material:</b> | Aluminum/Black Powder Coat |
| <b>Thermal Protection:</b>        | Built In        | <b>Lens Material:</b>      | Polycarbonate              |
| <b>Lumens:</b>                    | 19,250 lm       | <b>Lens Protection:</b>    | Optional Film              |
| <b>Candela:</b>                   | 250,000 cd      | <b>Mounting:</b>           | PAR 46 Ring Clamp          |
| <b>Beam Profile (@ 10% peak):</b> | Vertical: 20°   | <b>MTBF</b>                | >30,000 Hours              |
|                                   | Horizontal: 20° | <b>Temperature Range:</b>  | -55C to +70C               |