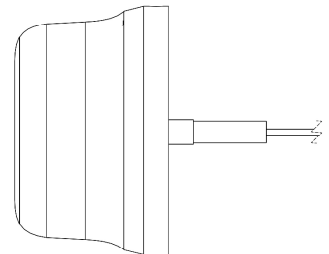
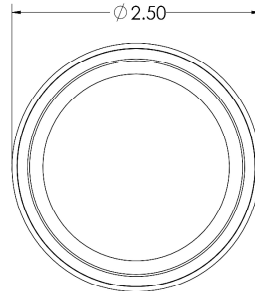
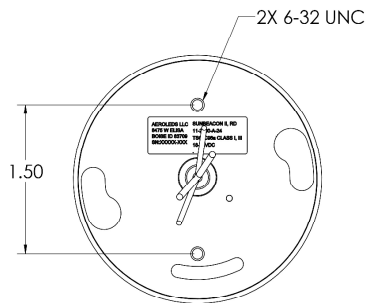
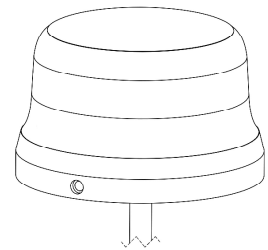
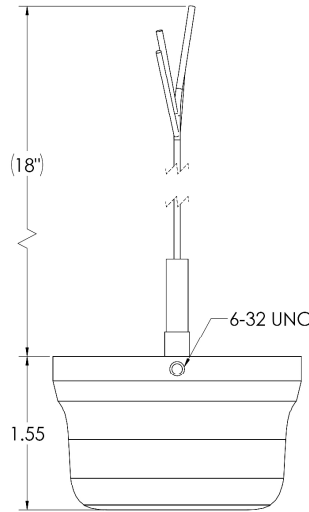
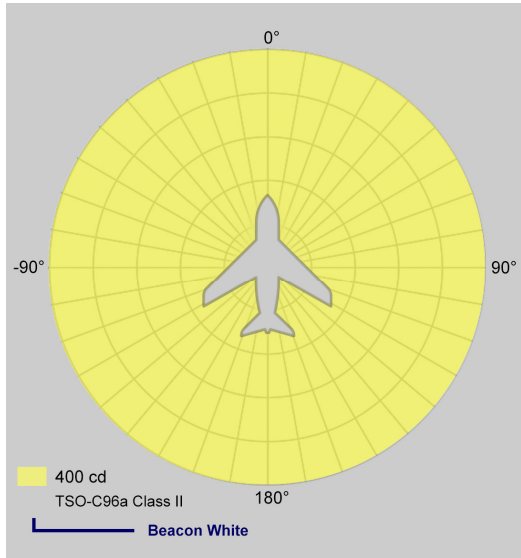




# Product Datasheet

## SunBeacon II White Beacon Light

### 11-2200-(B)-(12)



**Voltage:** 9-18VDC  
**Current:** Strobe: 1A at 14V  
**Average Power:** 14 Watts  
**Strobe Power Supply:** Built In  
**Synchronization:** Built In  
**Thermal Protection:** Built In  
**Beacon:** TSO'd (C-96a Class II)

**Length:** 2.5"  
**Width:** 2.5"  
**Height:** 1.6"  
**Weight:** 3.5Oz  
**Heat Sink Material:** Anodized Aluminum  
**Lens Material:** Polycarbonate  
**Mounting:** Bracket (optional)  
**MTBF:** >30,000 Hours  
**Temperature Range:** -55C to +70C