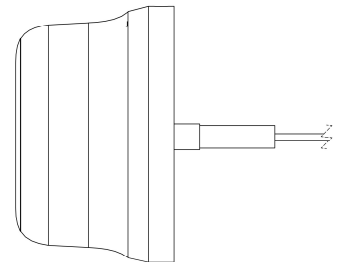
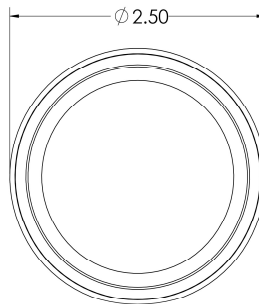
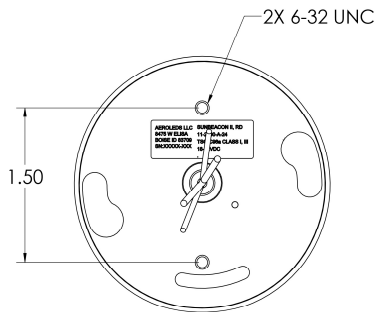
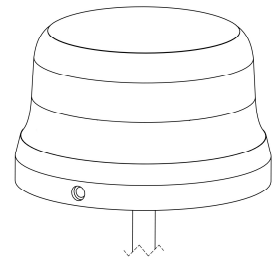
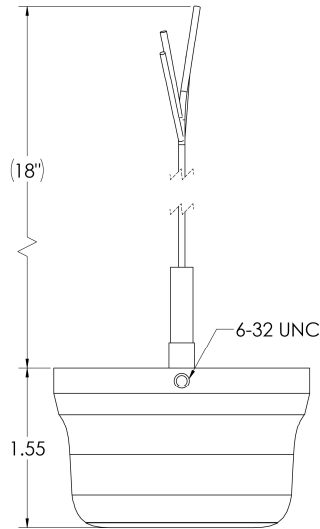
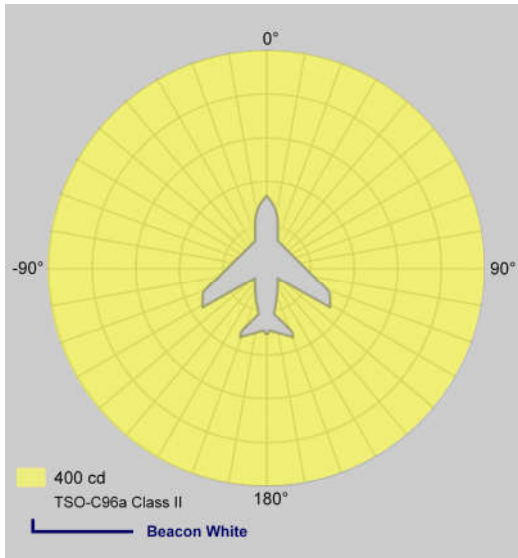




Product Datasheet

SunBeacon II White Beacon Light

11-2200-(B)-(24)



Voltage: 26-32VDC
Current: Strobe: 0.6A at 28V
Average Power: 17 Watts
Power Supply: Built In
Strobe Synchronization: Built In
Thermal Protection: Built In
Beacon: TSO'd (C-96a Class II)

Length: 2.5"
Width: 2.5"
Height: 1.6"
Weight: 3.5Oz
Heat Sink Material: Anodized Aluminum
Lens Material: Polycarbonate
Mounting: Bracket (optional)
MTBF: >30,000 Hours
Temperature Range: -55C to +70C