

**McFarlane Aviation, Inc. FAA-PMA Approved  
Push-Pull Control Rod End Kit Part Number  
RE-KT-1 for Installation on Cessna Aircraft.**

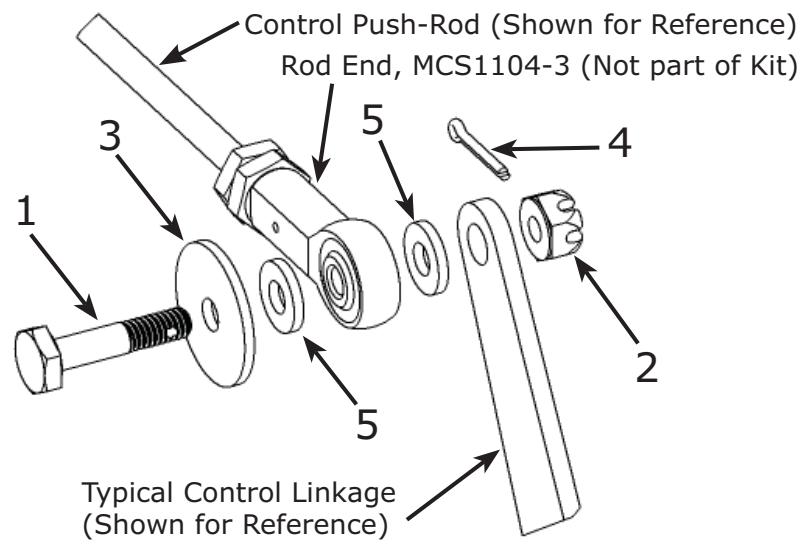
**Parts List**

Item	Qty	Part Number	Description
1	1	AN3-7	Bolt
2	1	AN310-3	Castellated Nut
3	1	AN970-3	Large Area Flat Washer
4	1	MS24665-132	Cotter Pin
5	2	NAS1149F0363P	Washer

**Notes:**

1. McFarlane rod end MCS1104-3 is a direct replacement for Cessna rod ends 0550158 and S1186-1 only when installed in conjunction with RE-KT-1.
2. Installation eligibility is per FAA-PMA No. PQ3732CE and the latest FAA approved revision of McFarlane eligibility drawing 6447. This document and the relevant PMA supplement(s) are available at [www.mcfarlaneaviation.com/eligibility](http://www.mcfarlaneaviation.com/eligibility).

Information derived from FAA-PMA drawing 6510 Rev Org 04/28/2010.



**Typical Rod End Installation**



McFarlane Aviation, Inc.  
696 E 1700 Rd  
Baldwin City, KS 66006