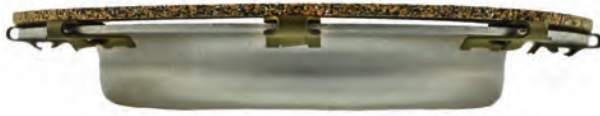


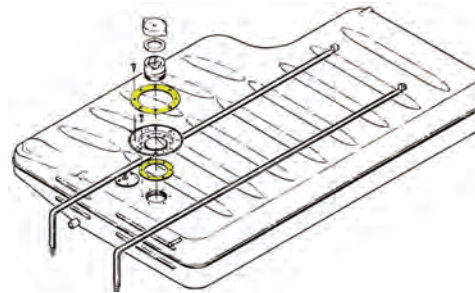
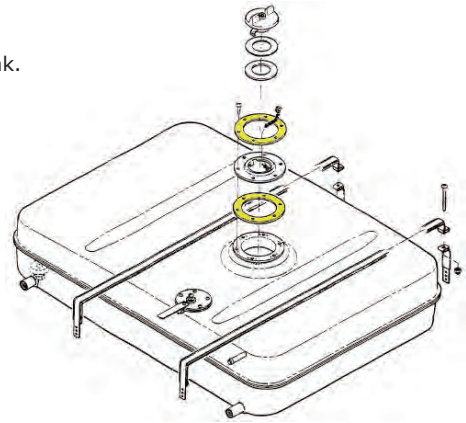
Cessna Fuel Filler Neck and Fuel Tank Adapter Gaskets

Replace dry, brittle gaskets to prevent water contamination in fuel.
Gaskets required to seal between the wing skin, fuel filler neck, fuel tank adapter and fuel tank.

- Realistically priced!
- Cork/rubber composite gaskets meet strict MIL-SPEC requirements for fuel resistance
- Never reuse these gaskets



Improved Upper Gasket
P/N MC0523531
Thicker, softer material for a better seal around the tinnerman clips.



Aircraft	Serial Number	Qty per Aircraft	Part Number
140A	All	2	MC0523531
		2	MC0523532
150, 150A,B,C,D,E,F,G,H,J	17001 thru 15069454	2	MC0523531
		4	MC0523532
150J	15069455 thru 15071128	2	MC0523531
		4	MC0523532
150K,L	15071129 thru 15072628	2	MC0523531
		4	MC0523532
150L,M	15072629 thru 15079405	2	MC0426013-1
		2	MC0426013-2
A150K,L	A1500001 thru A1500276	2	MC0523531
		4	MC0523532
A150L,M	A1500277 thru A1500734	2	MC0426013-1
		2	MC0426013-2
F150F,G,H,J	All	2	MC0523531
		4	MC0523532
F150K,L	F15000530 thru F15000738	2	MC0523531
		4	MC0523532
F150L,M	F15000739 thru F15001428	2	MC0426013-1
		2	MC0426013-2
FA150K,L	FA1500001 thru FA1500166	2	MC0523531
		4	MC0523532
FA150L,M	FA1500167 thru FA1500336	2	MC0426013-1
		2	MC0426013-2
152, A152, F152, FA152	All	2	MC0426013-1
		2	MC0426013-2
170A	All	A/R	MC0523531
		4	MC0523532
170B	All	2	MC0523531
		4	MC0523532
172, 172A,B,C,D,E,F,G,H,I	All	2	MC0523531
		4	MC0523532
172K,L	17257162 thru 17259823	2	MC0523531
		4	MC0523532
172L	17259824 thru 17259903	2	MC0523531
		4	MC0523532
172L,M	17259904 thru 17263458	2	MC0426013-1
		2	MC0426013-2
172M,N,P,Q	17263459 thru 17276654	2	MC0426013-1
		2	MC0426013-2
F172D,E,F,G,H	F172-0001 thru F172-0559	2	MC0523531
		4	MC0523532
F172H,K	F172-0560 thru F17200804	2	MC0523531
		4	MC0523532
F172L,M	F17200805 thru F17201234	2	MC0426013-1
F172M,N,P	F17201235 thru F17202254	2	MC0426013-1
		2	MC0426013-2
FP172, P172D	All	2	MC0523531
		4	MC0523532
FR172E,F,G,H	FR17200001 thru FR17200300	2	MC0523531
		4	MC0523532
FR172H,J,K	FR17200301 thru FR17200675	2	MC0426013-1
		2	MC0523531
R172E,F,G,H	R172-0302 thru R1720494	4	MC0523532
		2	MC0426013-2
R172K	R1722000 thru R1723454	2	MC0426013-1
175, 175A,B,C	All	2	MC0523531
		4	MC0523532

1 Partial model eligibility
2 Requires 8 each per aircraft for aircraft with long range tanks



P/N MC0426013-1
Thickness 0.062"



P/N MC0426013-2
Thickness 0.031"



P/N MC0523532
Thickness 0.062"



P/N MC0523531
Thickness 0.094"

Stat-O-Seal for Cessna Aircraft FAA-PMA Approved P/N MC600-001-10



- Fuel-proof viton rubber
- Save \$\$\$
- Fits some fuel drain valves
- Replaces Cessna part numbers:
600-0000-10, 600-001-10, and 600-0101-10

Aircraft
210, 210A
310R, T310R
335
340, 340A
401, 401A,B
402, 402A,B,C
404
411, 411A
414, 414A

